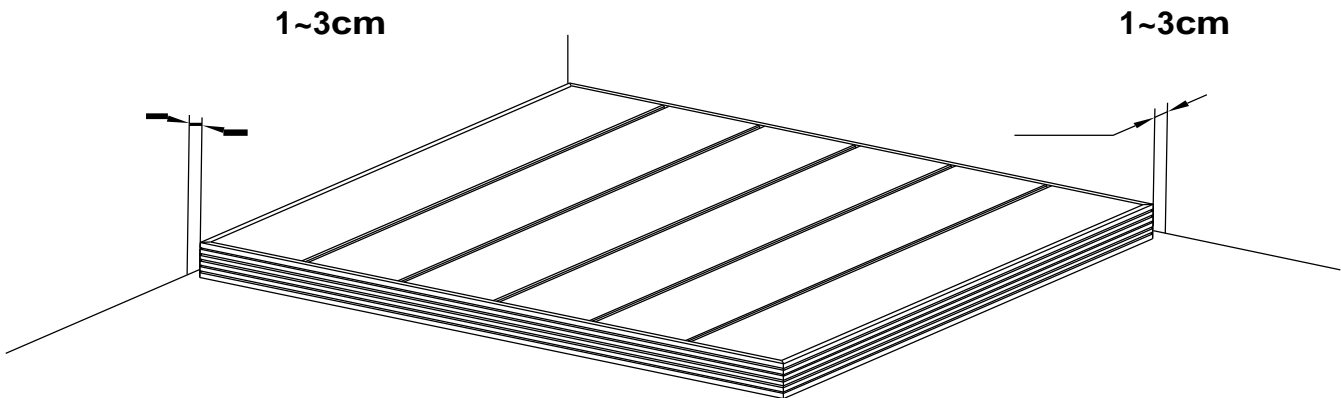


BONDECK

BY RETHINK

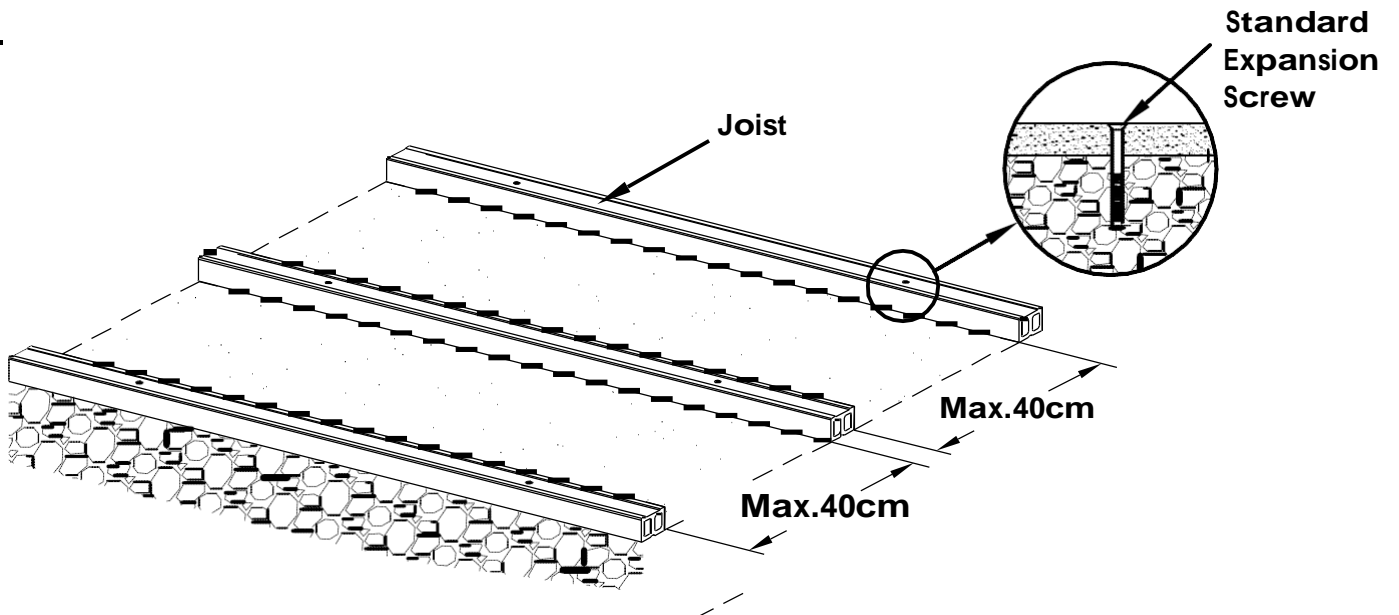
Bondeck Installation Guide

1.



Before installation, make sure that 1-3cm space is left from the walls or any other obstacles

2.

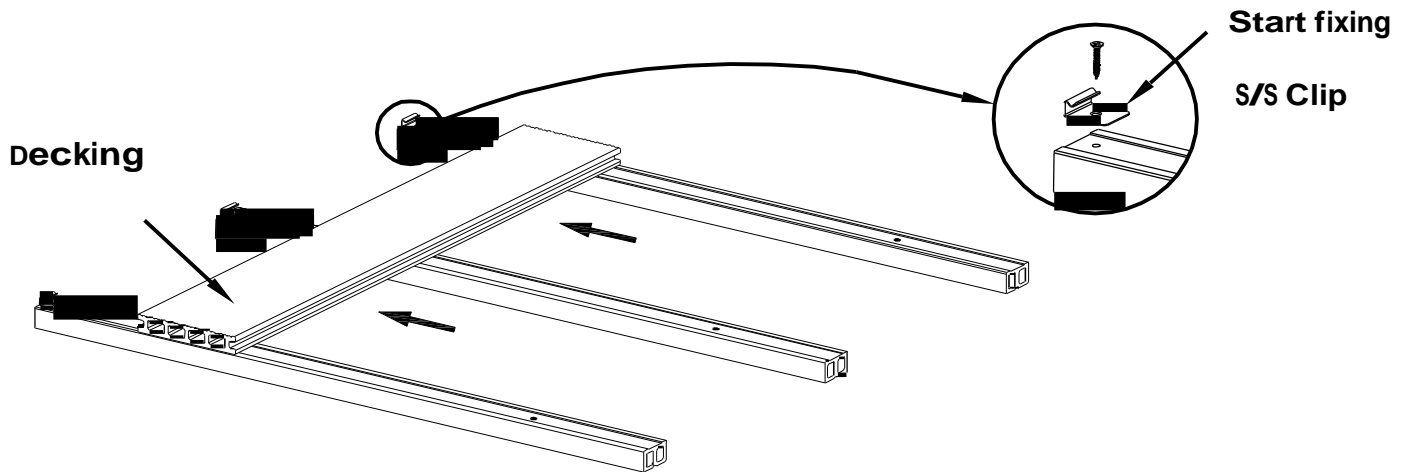


It is recommended that joist span is not wider than 40cm

BONDECK

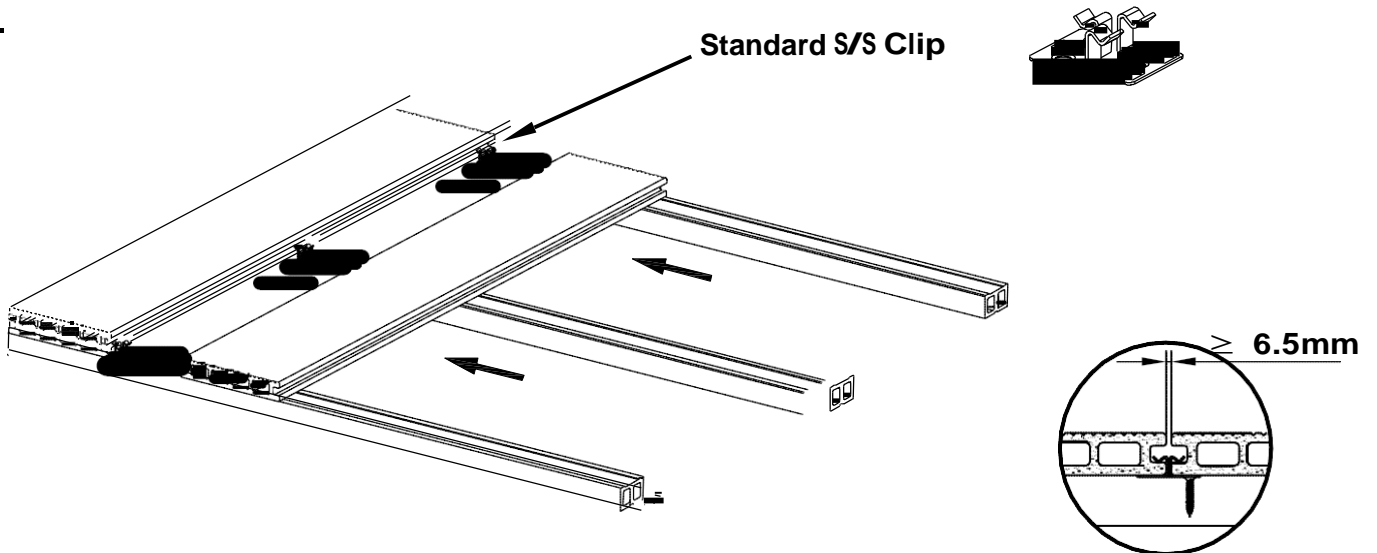
BY RETHINK

3.



Push the deck planks to the start fixing the S/S Clips

4.

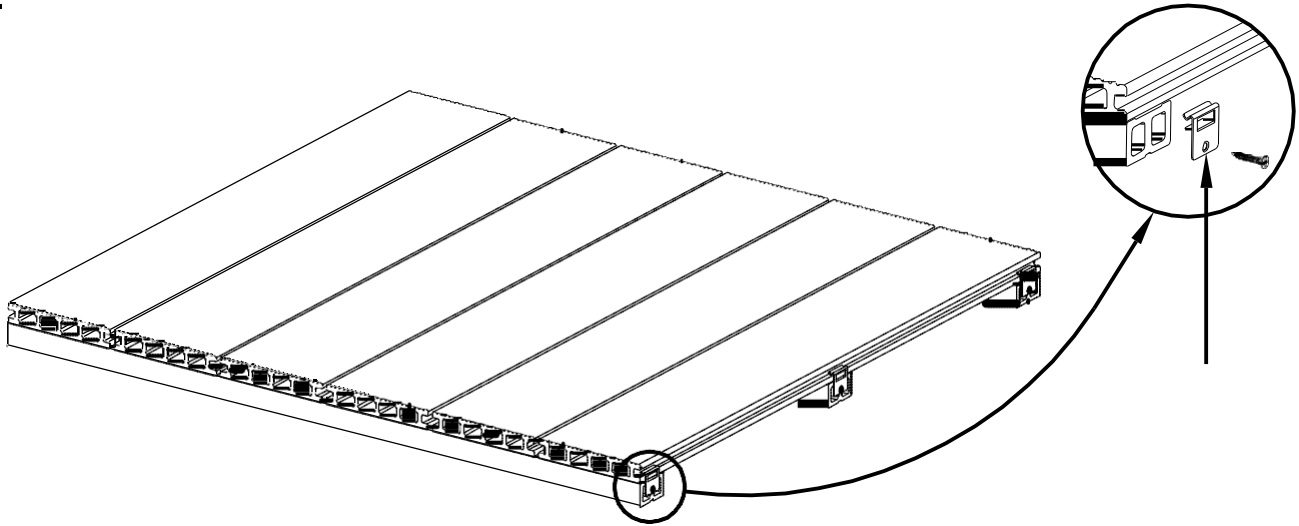


Insert the S/S Center Clip to the decking, fixed to the joist with a screw, then push the next deck plank to the clip

BONDECK

BY RETHINK

5.

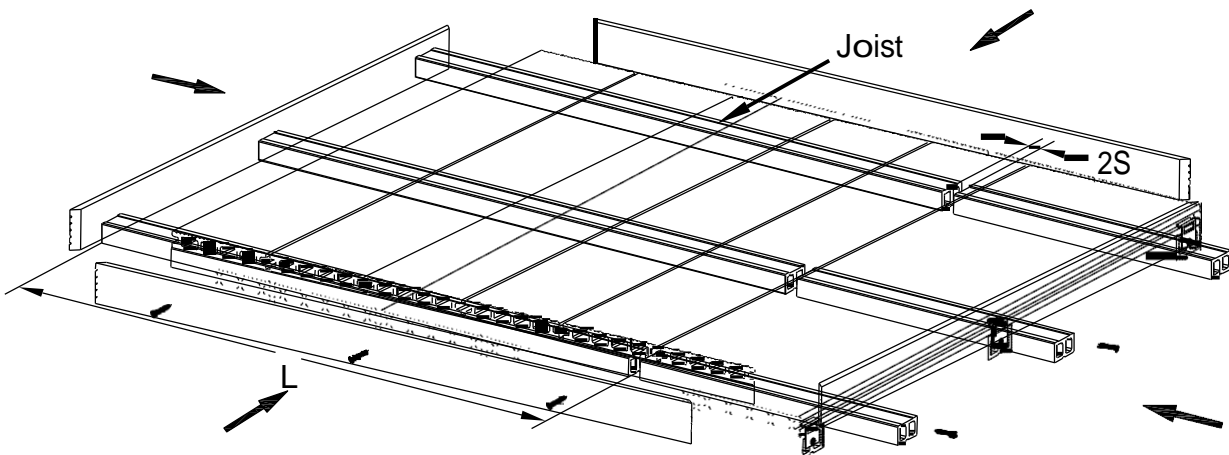


S/S End Clip

Use S/S End Clip (or Screw) to finish the deck installation

6.

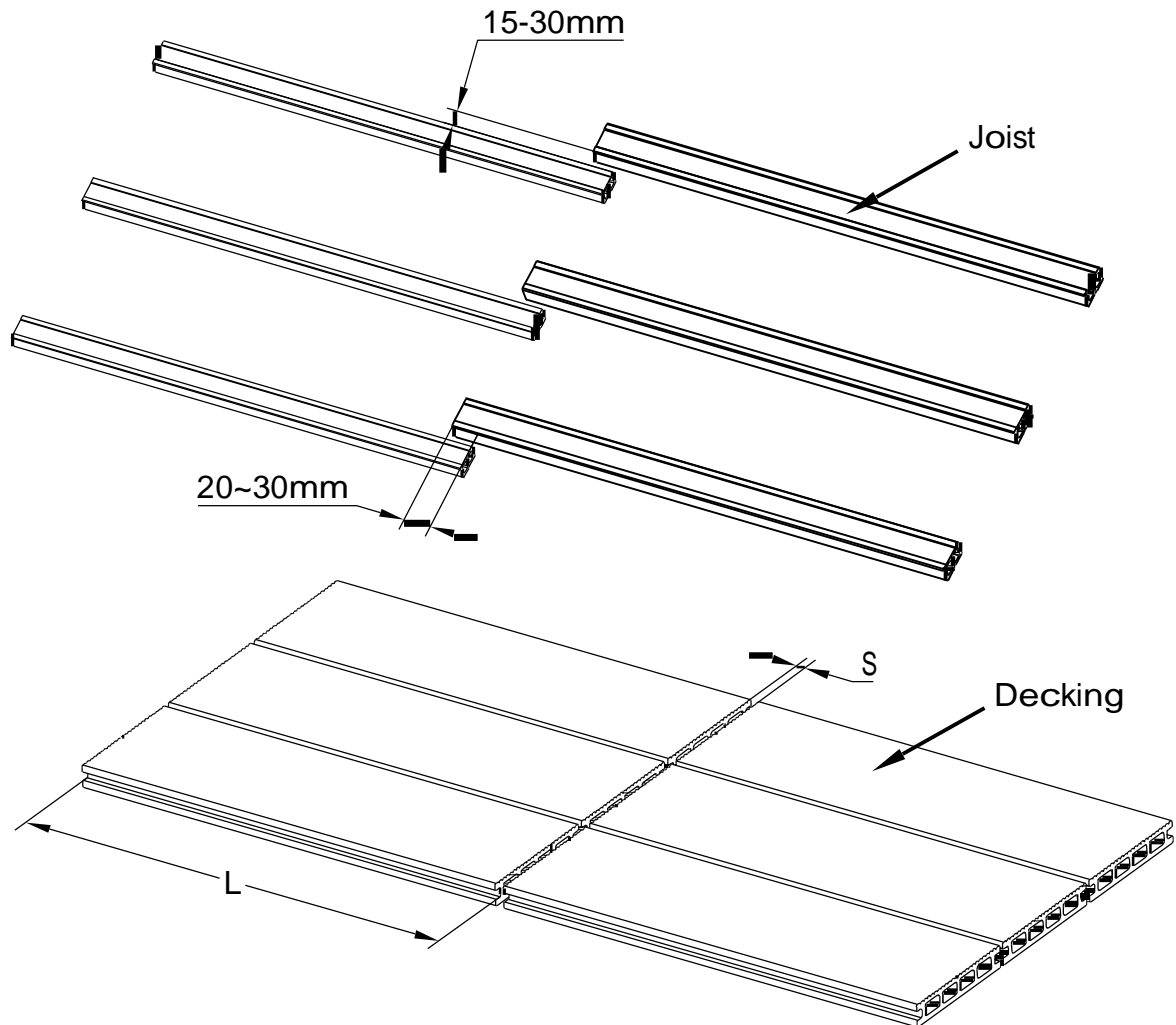
Notice in deck installation:



BONDECK

BY RETHINK

Or



Remarks:

① You must leave space for the decking joint because of the expansion and contraction character of WPRC products. The joint space should be considered in the installation condition as follows:

$\leq 10\text{C}^{\circ}$	$S = L * 0.18\%$ (L= Length)
$10\text{C}^{\circ} - 30\text{C}^{\circ}$	$S = L * 0.13\%$
$\geq 30\text{C}^{\circ}$	$S = L * 0.08\%$

② During the installation the integral ventilation and drainage of the project should be considered.